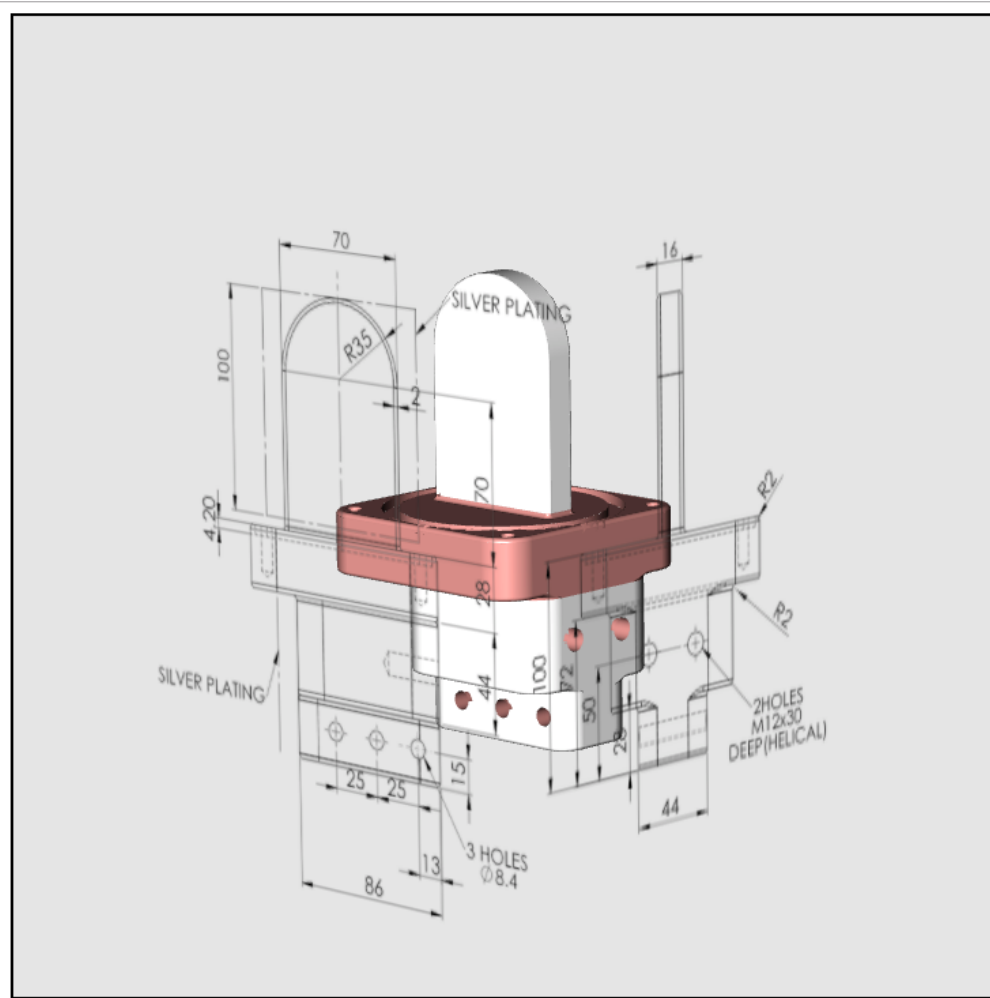


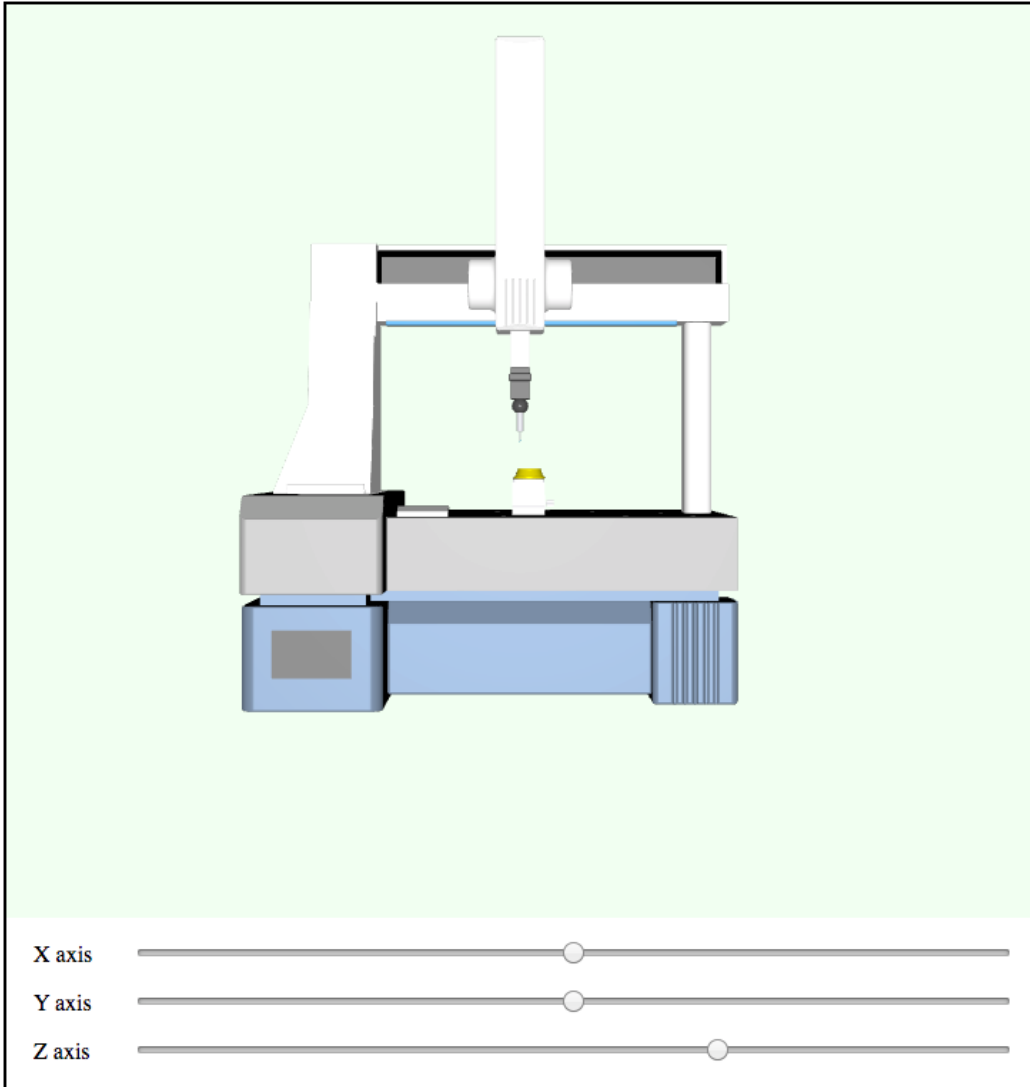
Integrate 3D and 2D drawings



3D CAD model and 2D drawings courtesy of [Supreme Enterprises](http://www.supremeenterprises.com).

<http://www.kshell.com/pages/web3d201811/visibility/index.html>

Kinematic Animation



<http://www.kshell.com/pages/cmmpoc/>

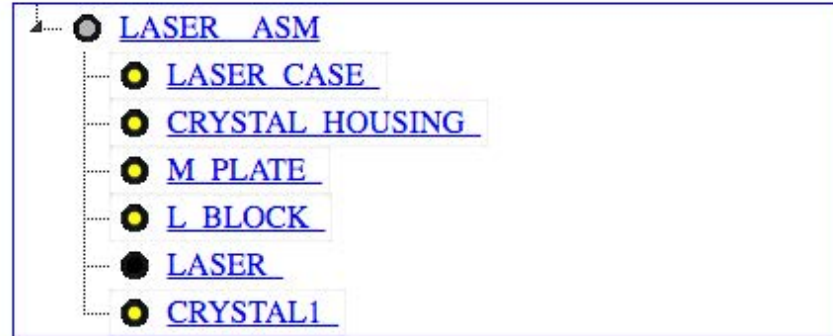
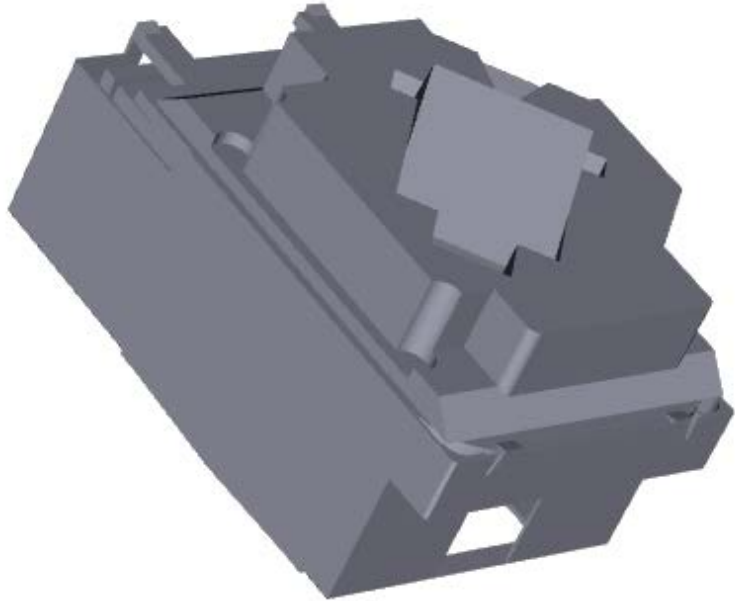
Assembly Animation



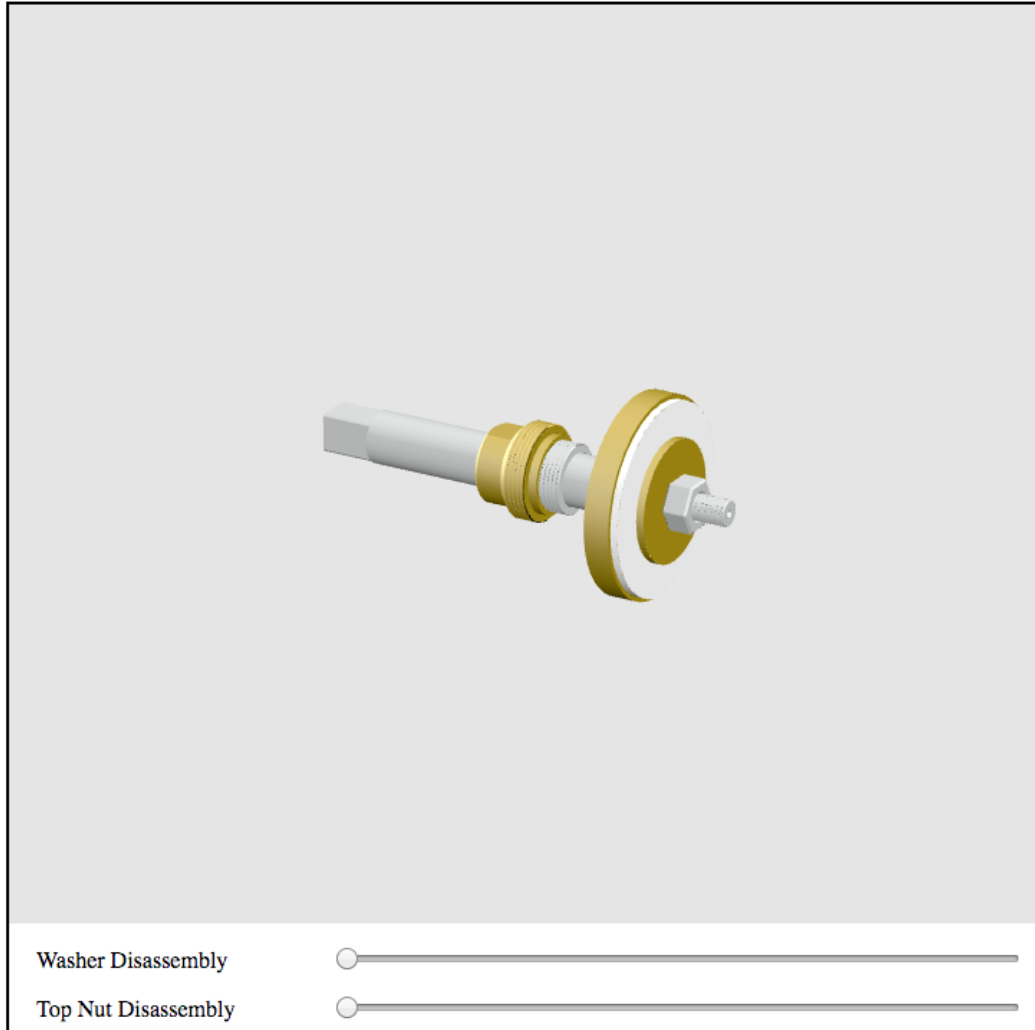
Rendered with X-ITE 4.6.8

[http://kshell.com/pages/exploded view/](http://kshell.com/pages/exploded_view/)

Assembly Tree



Controlled Motion

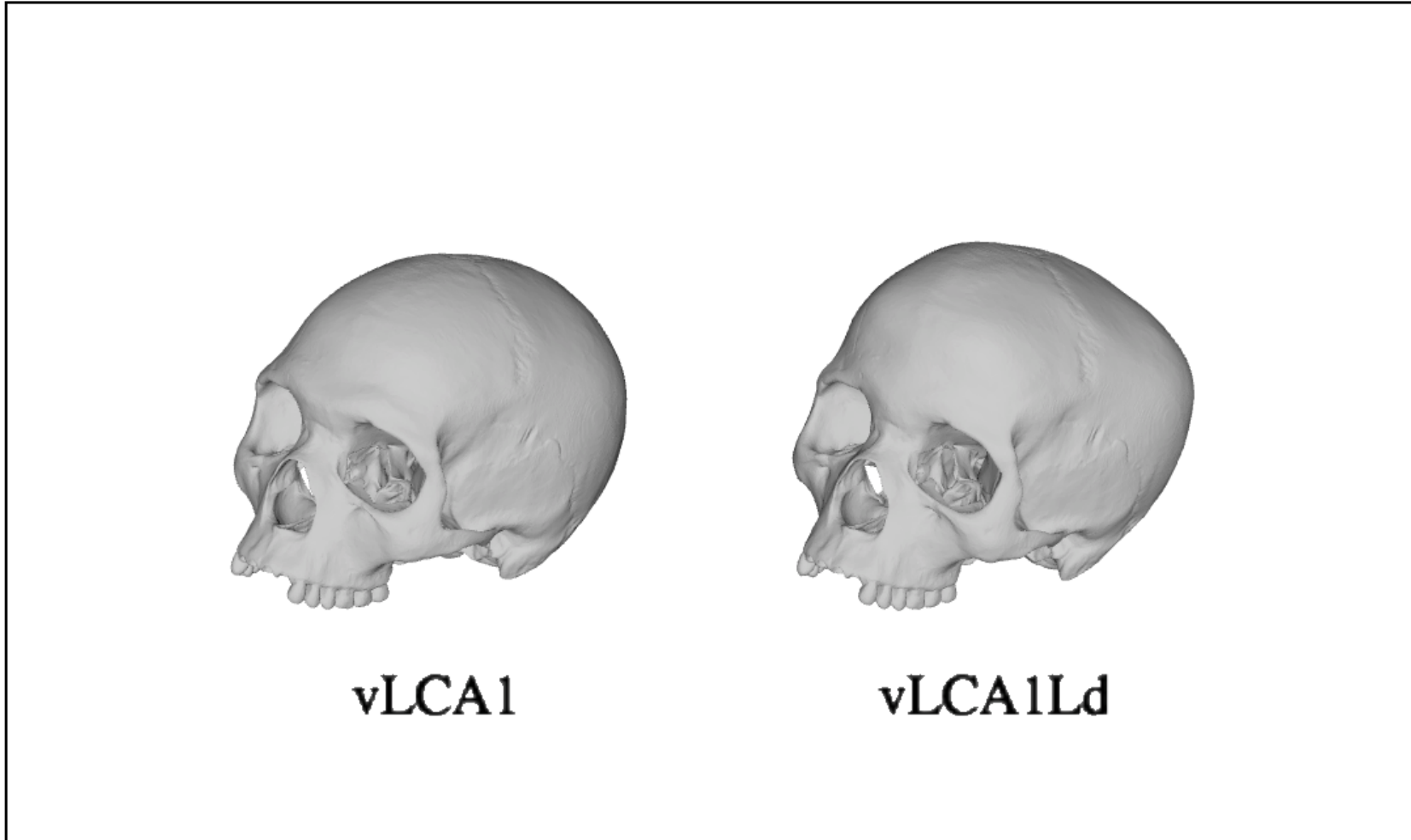


3D CAD models courtesy of [Supreme Enterprises](#).

<http://www.kshell.com/pages/web3d201811/motion/index.html>

Smart Navigation

Side-by-Side comparison of *virtual Latest Common Ancestor* reconstructions



Scientists Find the Skull of Humanity's Ancestor, on a Computer

[nature COMMUNICATIONS article](#)

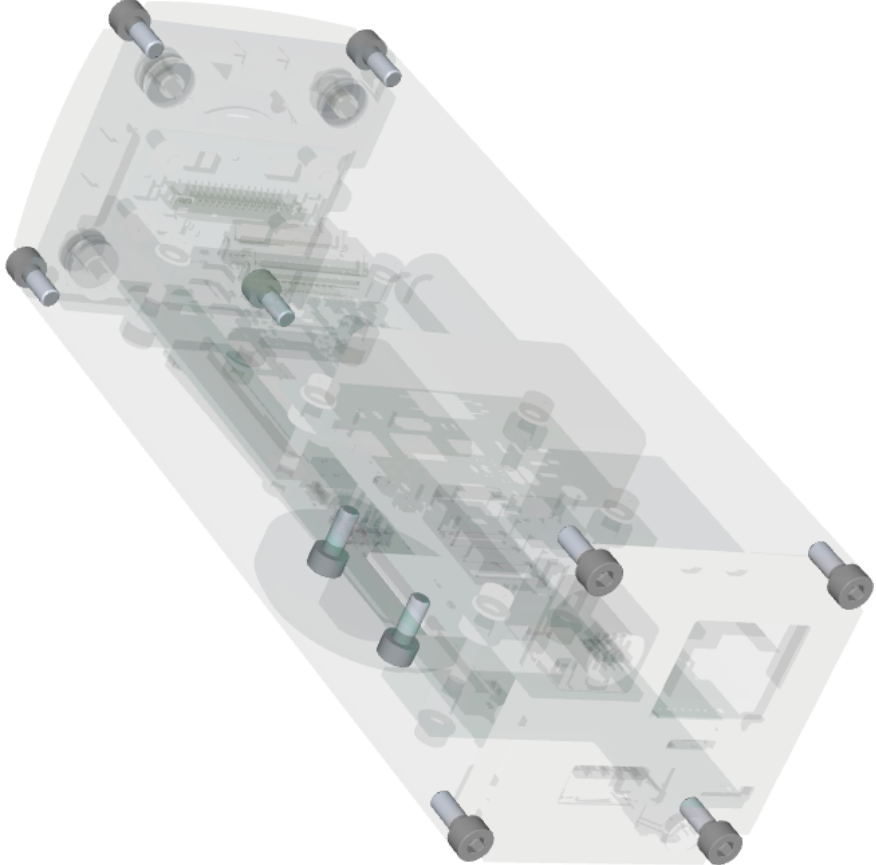
<http://www.kshell.com/pages/gemini/>

Product Catalog

Product Catalog Interface for NC393-M2260-CS-ASSY

Model: NC393-M2260-CS-ASSY

View ?



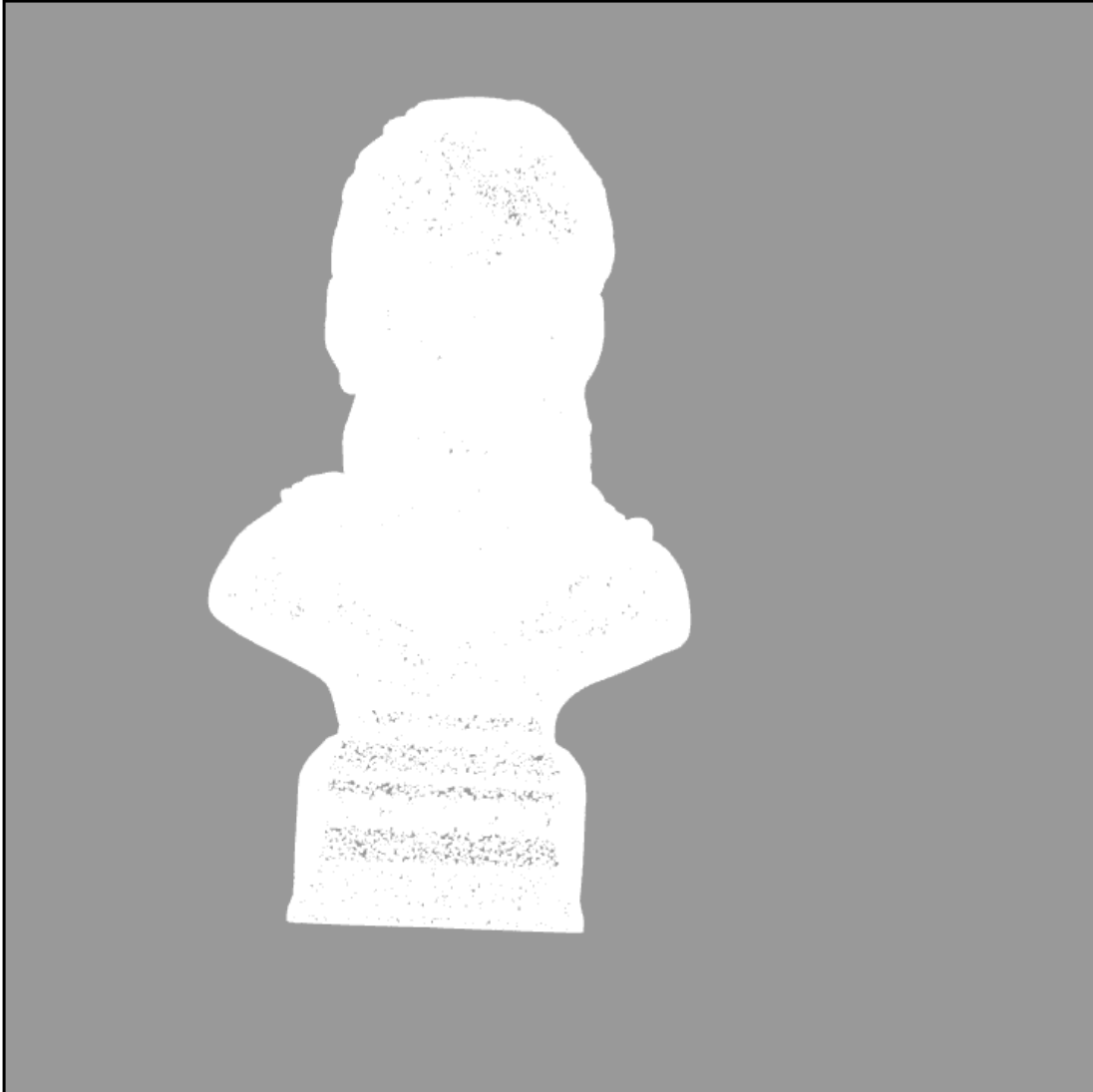
0353-98-01

0353-00-15	0393-18-30
0353-30-20	0393-18-31
0353-96-01	0393-20-11
0353-97-25	0393-30-30
0353-98-01	0393-63-01
0353-99-01	0393-83-01
0353-99-10	0393-90-06
0353-99-16	0393-90-07
0353-99-161	
0353-99-25	
0393-00-20A	
0393-00-21B	
0393-00-22B	
0393-00-23A	
0393-02-61	
0393-10-01	
0393-11-01	
0393-11-10	
0393-11-11	
0393-12-29	
0393-12-30	
0393-12-31	
0393-13-01	

0353-98-01

Buttons: Upload, Copy, Close

Point Cloud



Point cloud with 349K data points
measured by optical scanner

Surface Reconstruction



Surface reconstructed from optical scan point cloud data. Color and reflectivity specified during X3D model creation and not determined by scan data.

3D Scanning by [Applications 3D](#)

<http://www.kshell.com/pages/archimedes/index8.html>

3D Printing

SHAPEWAYS

Search our Marketplace

START MAKING BUSINESS SOLUTIONS

Uploaded to Shapeways 3D printing service as an X3D file.

MARKETPLACE > ART > MATHEMATICAL ART >



Smooth Fine Detail Plastic

Archimedes9

Made by
KayShop

\$10.52

Ships as soon as 6 days

Smooth Fine Detail Plastic

3D printed in matte translucent plastic that showcases fine and intricate details.

QTY 1

BUY NOW

Have a question about this product?

CONTACT THE DESIGNER

You must be logged in and verified to contact the designer.



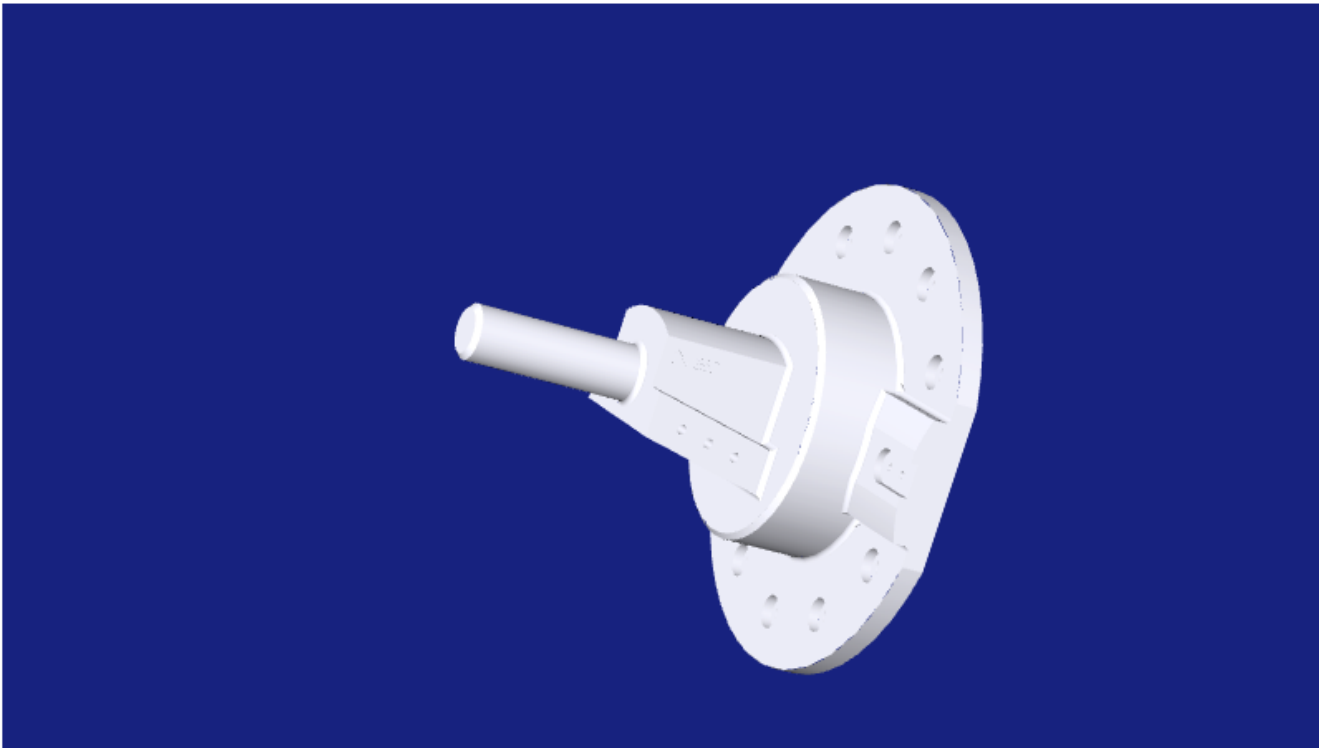
STEP to X3D

Zoom

NistCtc05Asme1Ap203Spri.x3d

[.x3d scene](#), [pretty-print source](#), statistics, info & logs, [X3DOM Player](#)

NIST Product and Manufacturing Information
(PMI) Complex Test Case 5.



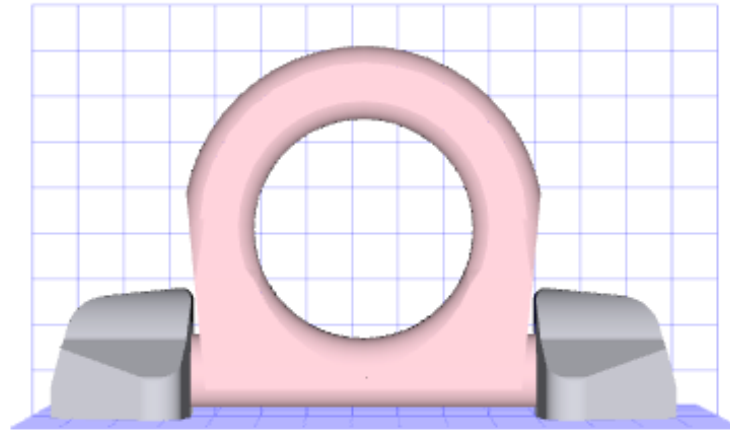
Generated from STEP file from the
[NIST Conformance Suite](#).

Product Demonstration

Part: VRBS-4-t Welded Lifting Point
Manufacturer: [RUD](#)

STEP (AP203) CAD file obtained from
[PART Community](#) online catalog.

X3D [Download](#)



Show 1 cm. grid

Show Swivel Freedom

Reset View

Model may be rotated by dragging with mouse